

BRITISH ADMIRALTY
HYDROGRAPHIC DEPARTMENT

NEW PHOTOGRAPHS OF H.M. SURVEYING SHIP
'VIDAL' AND THE NEW 29 ft. SURVEYING MOTORBOAT

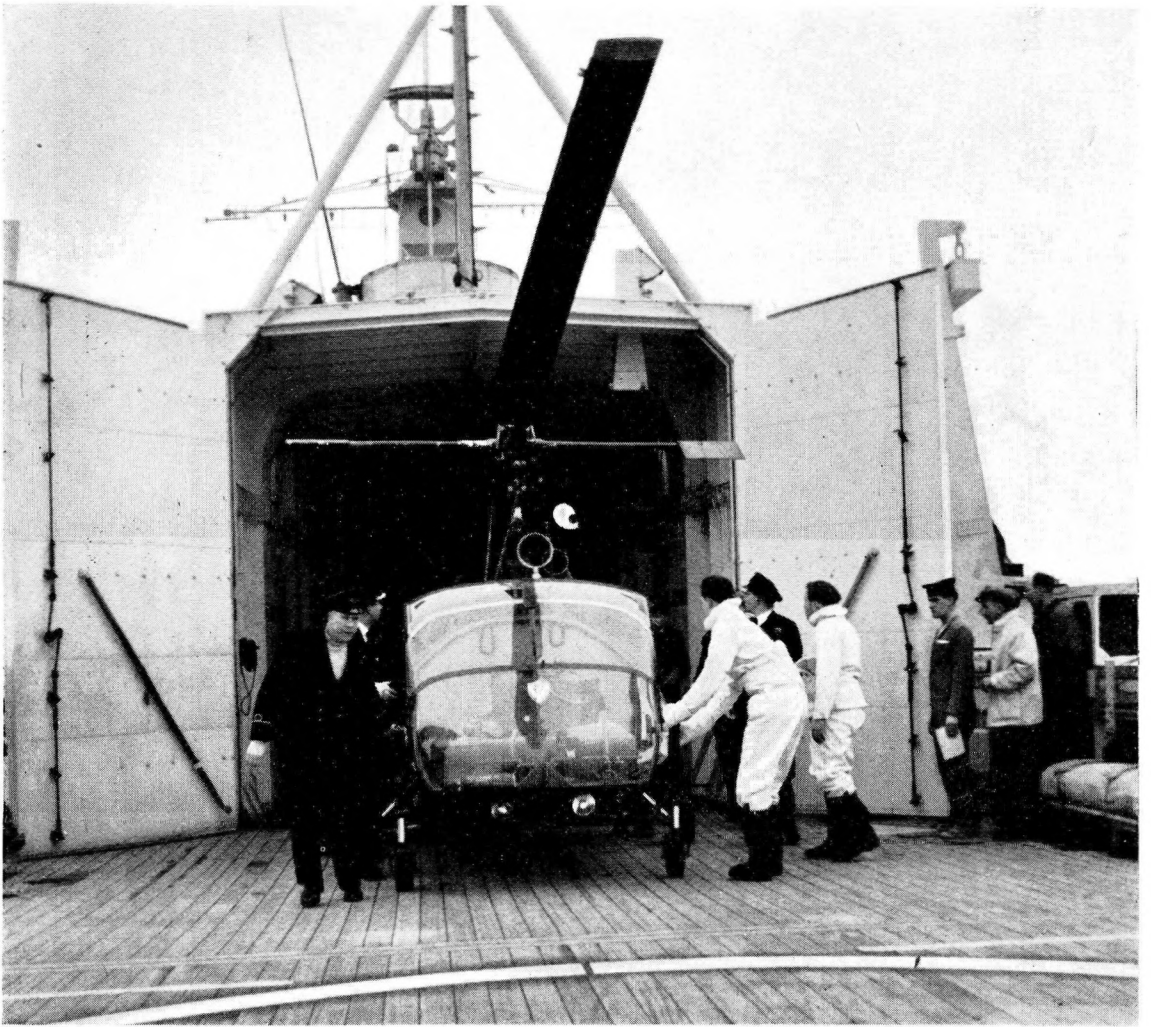
—————→ (SEE ALSO FRONTISPIECE)



29-foot Motor Launch.



29-foot Motor Launch.

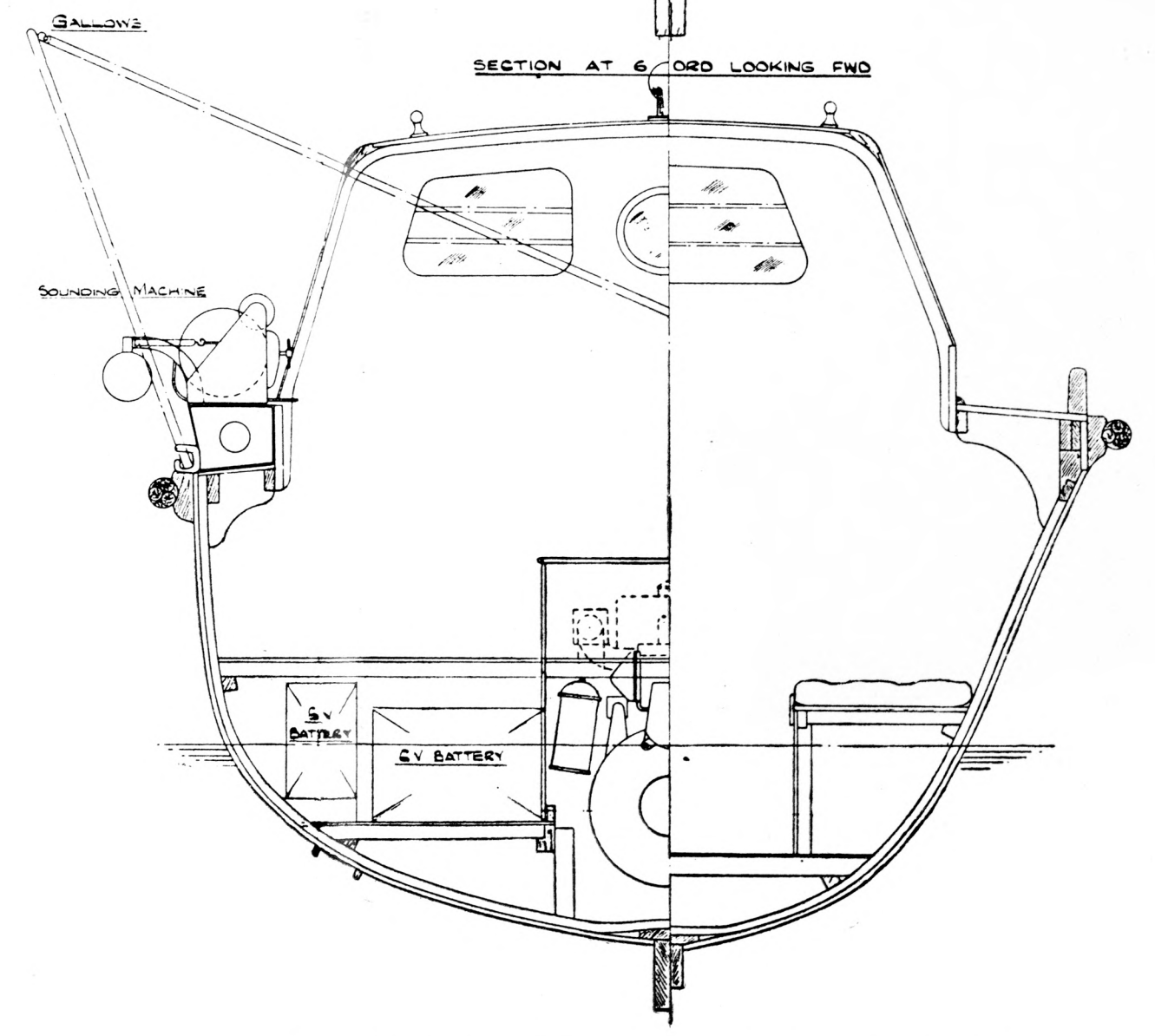
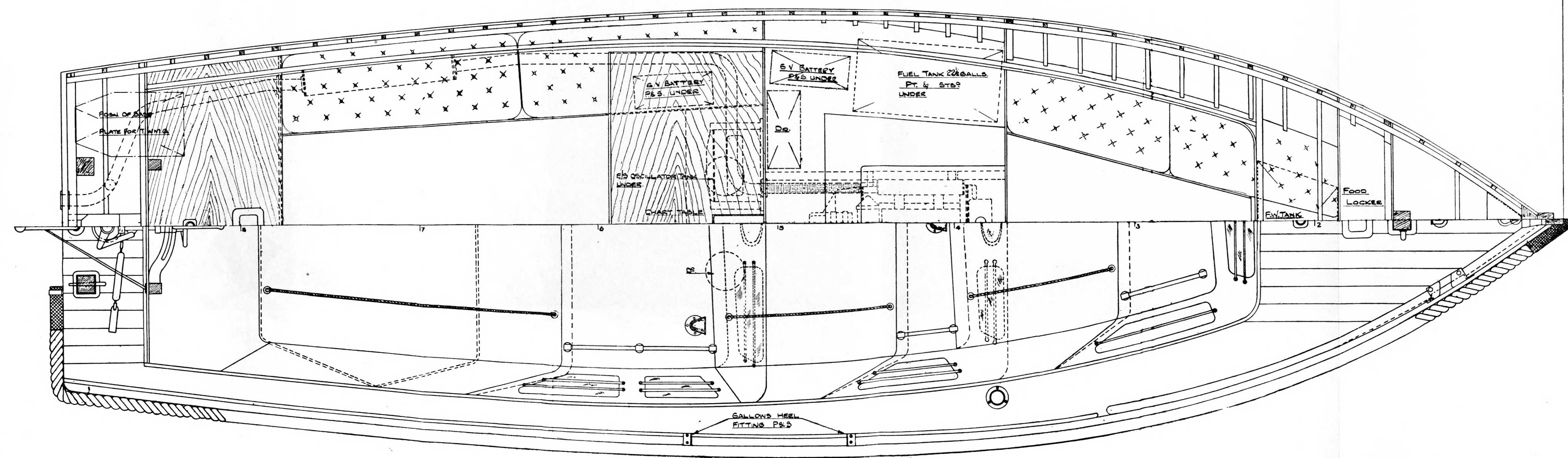
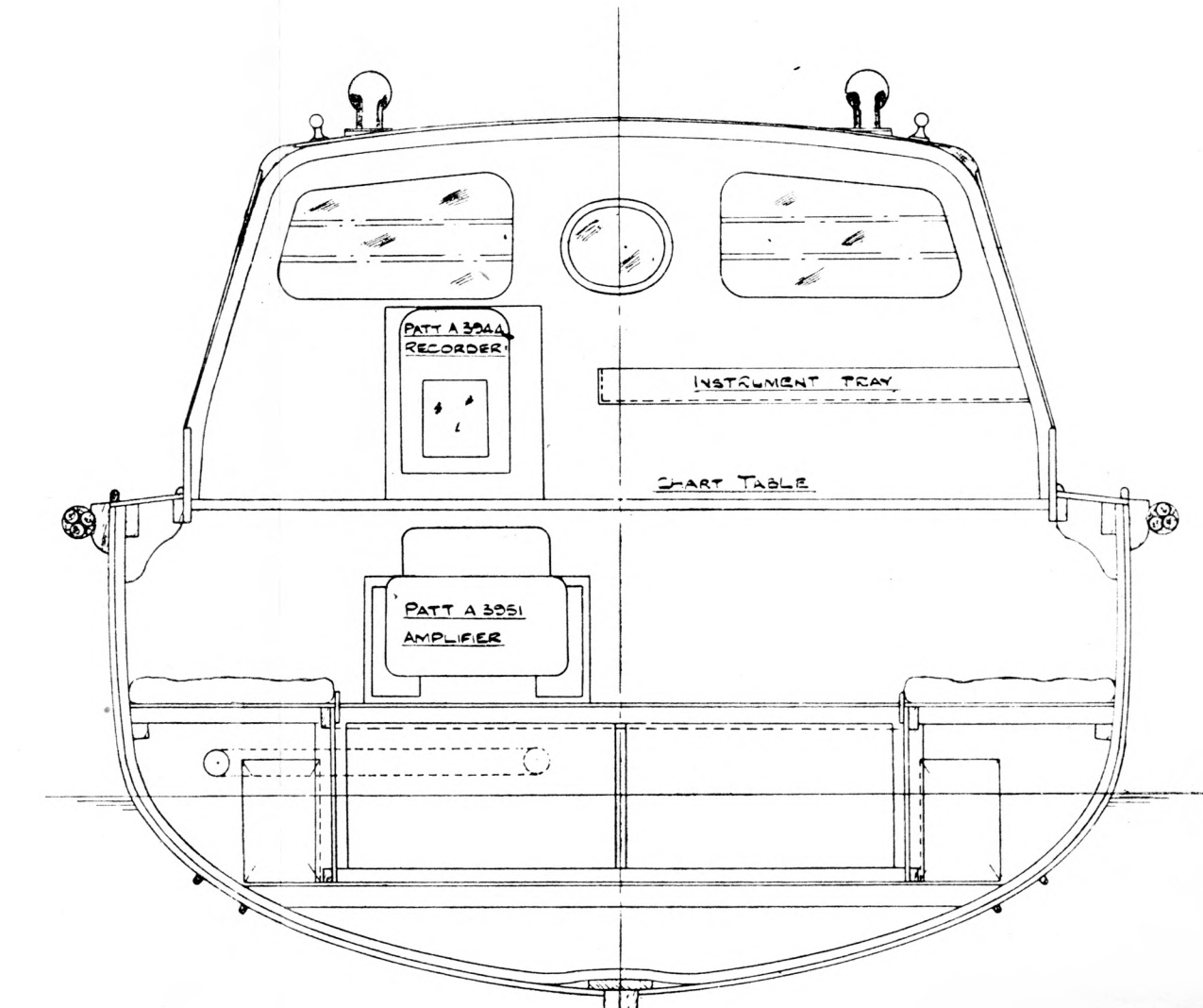
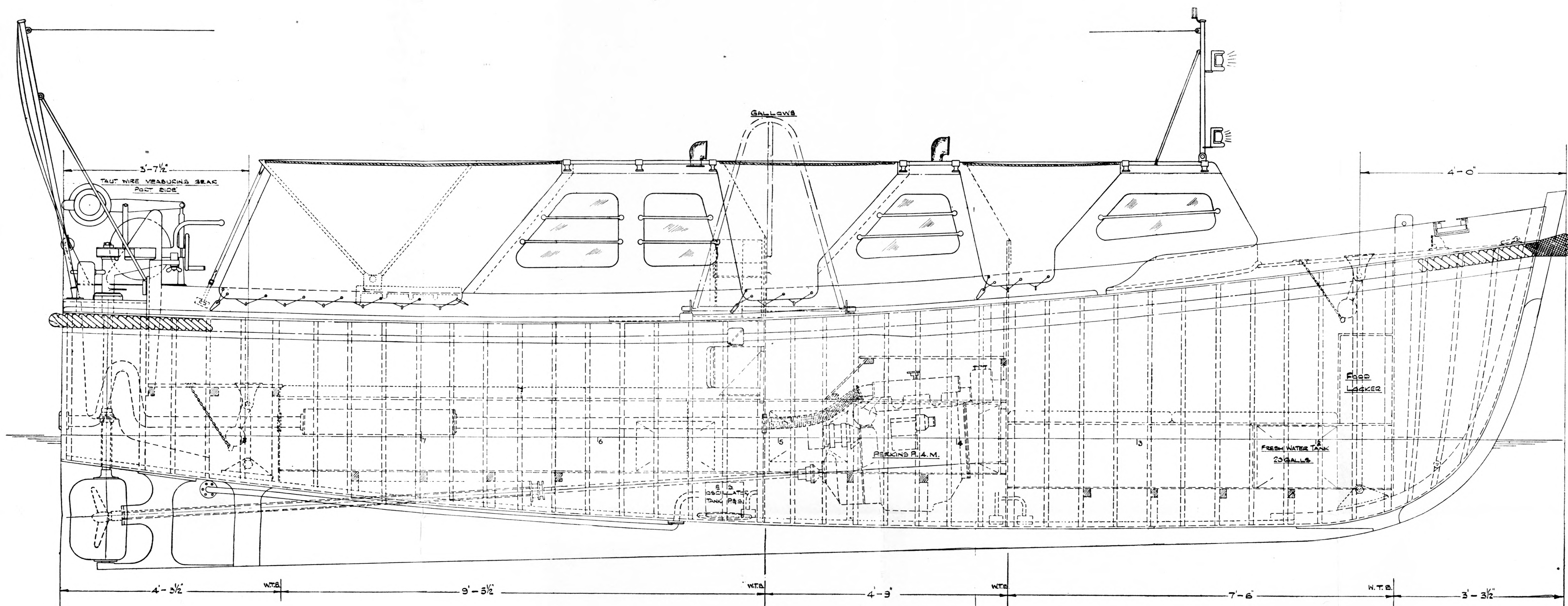


A Hiller 12 helicopter of the Royal Navy being wheeled from the hangar on the new survey ship H.M.S. *Vidal*.



A Whirlwind helicopter of the Royal Navy on the helicopter deck of the new survey ship H.M.S. Vidal.

NEW 29 FT. SURVEY MOTORBOAT



1/2 SECTION AMIDSHIPS LOOKING FWD
1/2 SECTION AT 3'0" ORD LOOKING FWD